



Segmetal

Listino prezzi / Price list
2010

SEGHE CIRCOLARI HSS DMo5 – Co5% / HSS DMo5 – Co5% CIRCULAR SAW BLADES

pag. 4

SEGHETTE UNI DIN 1837 A – 1838 B / UNI DIN SLITTING SAWS 1837 A – 1838 B

pag. 6

SEGHE CIRCOLARI CON RIPORTI IN METALLO DURO PER TAGLIO ALLUMINIO E LEGHE LEGGERE /
CARBIDE TIPPED SAWS FOR ALUMINIUM AND LIGHT ALLOYS CUTTING

pag. 10

SEGHE CIRCOLARI CON RIPORTI IN METALLO DURO PER TAGLIO LEGNO /
CARBIDE TIPPED SAWS FOR WOOD CUTTING

pag. 11

SEGHE A FRIZIONE / FRICTION SAW BLADES

pag. 12

FRESE A TAZZA / HOLE SAWS

pag. 13

LAME A NASTRO BIMETALLICHE E SEGHETTI A MANO /
BIMETAL BANDSAW BLADES AND HAND HACKSAW BLADES

pag. 14



 *Segmetal*



Dimensioni Dimensions mm	Foro centrale Centre bore mm	Flangia Hub mm	VAPO Steam coated €	BIANCA Bright €	TIN €	TICN €	RED-BARON €	TIALN €
175 x 1.2	32	75	68,81	67,63	89,60	91,82	94,04	98,09
175 x 1.5	32	75	64,34	63,05	85,22	87,44	89,66	93,71
175 x 2.0	32	75	65,06	63,77	85,94	88,15	90,37	94,43
200 x 1.0	32	100	81,90	80,27	107,31	110,01	112,71	117,06
200 x 1.2	32	100	70,38	68,98	96,02	98,72	101,42	105,77
200 x 1.5/1.6	32	90	64,92	63,62	90,66	93,37	96,07	100,42
200 x 1.8	32	90	61,89	60,66	87,70	90,40	93,11	97,45
200 x 2.0	25.4/32	90	66,64	65,31	92,35	95,05	97,76	102,10
200 x 2.5	32	90	81,19	79,57	106,60	109,31	112,01	116,36
210 x 2.0	32	90	86,51	84,78	114,25	117,20	120,14	125,32
225 x 1.2	32	100	83,34	81,67	113,58	116,77	119,96	125,96
225 x 1.5/1.6	32	90	76,43	74,90	106,81	110,00	113,19	119,19
225 x 1.8	32/40	90	74,14	72,64	104,55	107,74	110,93	116,93
225 x 1.9/2.0	32/40	90	67,51	66,16	98,06	101,25	104,44	110,44
225 x 2.5	32	90	92,70	90,85	122,75	125,94	129,13	135,13
250 x 1.0	32	100	102,92	100,86	135,47	138,93	142,39	149,24
250 x 1.2	32	100	81,04	79,43	114,03	117,49	120,95	127,80
250 x 1.5/1.6	32	100	72,98	71,52	106,13	109,59	113,05	119,90
250 x 2.0	25.4/32/40	100	75,14	73,64	108,25	111,71	115,17	122,01
250 x 2.5	25.4/32/40	100	84,06	82,38	116,99	120,45	123,91	130,75
250 x 3.0	32	100	118,61	116,24	150,85	154,31	157,77	164,62
275 x 1.6	32	100	88,81	87,04	127,05	131,06	135,06	143,59
275 x 2.0	32/40	100	97,45	95,50	135,51	139,51	143,52	152,05
275 x 2.5	25.4/32/40	100	98,89	96,91	136,93	140,93	144,93	153,46
275 x 3.0	32/40	100	131,27	128,66	168,67	172,67	176,67	185,21
300 x 1.6	32/40	100	122,66	120,21	165,63	170,17	174,72	184,26
300 x 2.0	32/40	100	117,39	115,04	160,46	165,00	169,55	179,09
300 x 2.5	32/38/40	100	118,95	116,57	162,00	166,54	171,08	180,62
300 x 3.0	32/40	100	138,04	135,28	180,71	185,25	189,79	199,33
315 x 1.6	32/40	100	150,01	147,01	195,14	199,95	204,76	214,46
315 x 2.0	32/40	100	130,63	128,03	176,15	180,97	185,78	195,48
315 x 2.5	32/40	100	132,20	129,56	177,69	182,50	187,32	197,02
315 x 3.0	32/40	100	148,59	145,61	193,74	198,55	203,37	213,07
315 x 3.5	32/40	100	157,70	154,55	202,67	207,49	212,30	222,00
325 x 2.0	32/40	120	144,17	141,29	190,50	195,42	200,34	210,10
325 x 2.5	32/40	120	151,01	147,99	197,20	202,12	207,04	216,81
325 x 3.0	40	120	169,96	166,56	215,77	220,69	225,61	235,38
350 x 1.8	32/40/50	120	182,01	178,36	231,35	236,65	241,95	253,99
350 x 2.0	32/40/50	120	154,65	151,56	204,55	209,85	215,15	227,19
350 x 2.5	32/40/50	120	154,65	151,56	204,55	209,85	215,15	227,19
350 x 3.0	32/40/50	120	171,15	167,72	220,71	226,01	231,31	243,35
350 x 3.5	32/40/50	120	195,68	191,76	244,75	250,05	255,35	267,39
370 x 2.5	40/50	120	233,03	228,37	290,02	296,18	302,34	316,26
370 x 3.0	32/40/50	120	228,24	223,68	285,32	291,49	297,65	311,57
370 x 3.5	40	120	256,43	251,31	312,95	319,12	325,28	339,20
400 x 2.5	40/50	120	260,94	255,73	333,06	340,79	348,52	364,07
400 x 3.0	40/50	120	256,43	251,31	328,64	336,37	344,10	359,64
400 x 3.5	40/50	120	271,38	265,95	343,28	351,01	358,74	374,29
400 x 4.0	50	120	313,11	306,84	384,17	391,90	399,64	415,18
425 x 2.5	40/50	120	319,03	312,65	398,09	406,63	415,18	431,20
425 x 3.0	40/50	120	296,61	290,69	376,12	384,67	393,21	409,24
425 x 3.5	50	120	323,54	317,07	402,51	411,06	419,60	435,63
425 x 4.0	50	120	350,47	343,46	428,90	437,45	445,99	462,02
450 x 2.5	40/50	140	429,14	420,55	520,59	530,59	540,60	559,55
450 x 3.0	40/50	130	392,20	384,35	484,39	494,40	504,40	523,35
450 x 3.5	40/50	130	421,38	412,95	512,99	522,99	533,00	551,94
450 x 4.0	40/50	130	458,60	449,43	549,47	559,47	569,47	588,42
500 x 3.0	40/50	130	492,01	482,17	587,61	598,16	608,70	628,65
500 x 3.5	40/50	130	542,62	531,77	637,22	647,76	658,31	678,26
500 x 4.0	40/50	130	588,87	577,09	682,53	693,08	703,62	723,58
500 x 5.0	40/50	130	667,95	654,59	760,03	770,58	781,12	801,08
525 x 3.5	50	140	611,42	599,19	707,89	718,75	729,62	751,13
525 x 4.0	50	140	667,95	654,59	763,28	774,15	785,02	806,53
550 x 4.0	50/90	140	702,21	688,16	802,80	814,26	825,73	848,27
550 x 5.0	50	140	812,60	796,34	910,98	922,44	933,91	956,46
570 x 4.0	50	150	739,56	724,78	847,26	859,50	871,75	897,49
570 x 5.0	50	150	846,99	830,05	952,53	964,77	977,03	1002,77
600 x 4.0	50	200	837,97	821,20	951,53	964,56	977,59	1006,53
600 x 5.0	50	200	936,23	917,50	1047,82	1060,85	1073,89	1102,83

Dimensioni Dimensions mm	Foro centrale Centre bore mm	Flangia Hub mm	VAPO Steam coated €	BIANCA Bright €	TIN €	TICN €	RED-BARON €	TIALN €
175 x 1.2	32	75	87,65	85,90	108,49	110,75	113,01	117,14
175 x 1.5	32	75	81,96	80,32	102,91	105,17	107,43	111,57
175 x 2.0	32	75	82,88	81,22	103,82	106,08	108,34	112,47
200 x 1.0	32	100	104,34	102,24	129,79	132,55	135,30	139,74
200 x 1.2	32	100	89,67	87,87	115,42	118,18	120,93	125,36
200 x 1.5/1.6	32	90	83,05	81,04	108,59	111,35	114,10	118,53
200 x 1.8	32	90	78,84	77,27	104,82	107,58	110,33	114,76
200 x 2.0	25.4/32	90	84,89	83,20	110,75	113,51	116,26	120,69
200 x 2.5	32	90	103,41	101,35	128,90	131,66	134,41	138,84
210 x 2.0	32	90	110,20	107,99	138,03	141,02	144,03	149,30
225 x 1.2	32	100	106,17	104,04	136,55	139,80	143,05	149,17
225 x 1.5/1.6	32	90	97,36	95,42	127,93	131,18	134,43	140,55
225 x 1.8	32/40	90	94,43	92,54	125,06	128,31	131,56	137,67
225 x 1.9/2.0	32/40	90	86,00	84,28	116,79	119,49	123,29	129,41
225 x 2.5	32	90	118,08	115,72	148,23	151,48	154,73	160,85
250 x 1.0	32	100	131,11	128,48	163,75	167,28	170,80	177,78
250 x 1.2	32	100	103,23	101,16	136,43	139,96	143,48	150,46
250 x 1.5/1.6	32	100	92,96	91,10	126,37	129,89	133,42	140,40
250 x 2.0	25.4/32/40	100	95,72	93,80	129,07	132,59	136,12	143,10
250 x 2.5	25.4/32/40	100	107,08	104,94	140,21	143,74	147,26	154,24
250 x 3.0	32	100	151,09	148,07	183,33	186,86	190,39	197,36
275 x 1.6	32	100	113,13	110,87	151,65	155,73	159,80	168,50
275 x 2.0	32/40	100	124,13	121,65	162,43	166,51	170,58	179,28
275 x 2.5	25.4/32/40	100	125,97	123,45	164,22	168,30	172,38	181,08
275 x 3.0	32/40	100	167,22	163,88	204,66	208,74	212,82	221,51
300 x 1.6	32/40	100	156,24	153,11	199,40	204,03	208,66	218,38
300 x 2.0	32/40	100	149,53	146,54	192,82	197,45	202,08	211,80
300 x 2.5	32/38/40	100	151,53	148,50	194,79	199,41	204,04	213,76
300 x 3.0	32/40	100	175,84	172,32	218,61	223,24	227,87	237,59
315 x 1.6	32/40	100	191,08	187,27	236,31	241,22	246,12	256,01
315 x 2.0	32/40	100	166,41	163,08	212,12	217,03	221,93	231,82
315 x 2.5	32/40	100	168,40	165,04	214,08	218,99	223,89	233,78
315 x 3.0	32/40	100	189,27	185,48	234,53	239,43	244,34	254,22
315 x 3.5	32/40	100	200,89	196,87	245,91	250,82	255,72	265,61
325 x 2.0	32/40	120	183,64	179,97	230,12	235,13	240,15	250,10
325 x 2.5	32/40	120	192,36	188,51	238,66	243,67	248,69	258,64
325 x 3.0	40	120	216,50	212,17	262,31	267,33	272,34	282,29
350 x 1.8	32/40/50	120	231,84	227,20	281,20	286,60	292,00	304,27
350 x 2.0	32/40/50	120	197,00	193,05	247,06	252,46	257,86	270,12
350 x 2.5	32/40/50	120	197,00	193,05	247,06	252,46	257,86	270,12
350 x 3.0	32/40/50	120	218,01	213,64	267,64	273,05	278,45	290,71
350 x 3.5	32/40/50	120	249,25	244,27	298,27	303,67	309,07	321,34
370 x 2.5	40/50	120	296,84	290,91	353,73	360,01	366,29	380,48
370 x 3.0	32/40/50	120	290,73	284,93	347,75	354,03	360,31	374,49
370 x 3.5	40	120	326,65	320,12	382,94	389,22	395,50	409,68
400 x 2.5	40/50	120	332,39	325,75	404,55	382,67	420,31	436,15
400 x 3.0	40/50	120	326,65	320,12	398,92	406,80	414,67	430,51
400 x 3.5	40/50	120	345,68	339,11	417,57	425,45	433,33	449,17
400 x 4.0	50	120	398,84	390,87	469,67	477,55	485,43	501,27
425 x 2.5	40/50	120	406,39	398,25	485,32	494,03	502,73	519,07
425 x 3.0	40/50	120	377,83	370,27	457,34	466,05	474,75	491,08
425 x 3.5	50	120	412,13	403,89	490,95	499,66	508,37	524,70
425 x 4.0	50	120	446,43	437,50	524,57	533,27	541,98	558,31
450 x 2.5	40/50	140	546,63	535,70	637,64	647,84	658,03	677,34
450 x 3.0	40/50	130	499,58	489,60	591,54	601,74	611,93	631,24
450 x 3.5	40/50	130	536,76	526,02	627,97	638,16	648,35	667,66
450 x 4.0	40/50	130	584,17	572,49	674,43	684,62	694,82	714,13
500 x 3.0	40/50	130	626,73	614,19	721,64	732,39	743,14	763,47
500 x 3.5	40/50	130	691,19	677,37	784,83	795,57	806,32	826,65
500 x 4.0	40/50	130	750,10	735,10	842,56	853,30	864,05	884,38
500 x 5.0	40/50	130	850,84	833,83	941,28	952,03	962,77	983,11
525 x 3.5	50	140	778,83	763,25	874,01	885,09	896,16	918,08
525 x 4.0	50	140	850,84	833,83	944,59	955,66	966,74	988,66
550 x 4.0	50/90	140	894,48	876,59	993,41	1.005,09	1.016,78	1.039,75
550 x 5.0	50	140	1.035,09	1.014,38	1.131,21	1.142,89	1.154,57	1.177,55
570 x 4.0	50	150	942,06	923,23	1.048,04	1.060,52	1.073,00	1.099,23
570 x 5.0	50	150	1.078,90	1.057,32	1.182,13	1.194,62	1.207,10	1.233,34
600 x 4.0	50	200	1.067,42	1.046,06	1.178,86	1.192,14	1.205,42	1.234,91
600 x 5.0	50	200	1.192,58	1.168,72	1.301,52	1.314,81	1.328,09	1.357,58

**SEGHE CIRCOLARI DENTATURA FINE
SLITTING SAWS FINE TOOTHING**
HSS DIN 1837 "A"

Diametro Diameter mm	Foro Bore mm	Spessore / Thickness																
		0,3	0,4	0,5	0,6	0,7	0,8	1,0	1,2	1,5	1,6	2,0	2,5	3,0	3,5	4,0	5,0	6,0
€																		
25	8	12,55	12,55	12,55	12,55	12,53	13,01	13,01	13,47	14,17	14,17	16,57	18,43	22,21	26,19	29,28	32,21	35,32
32	8	12,63	12,63	12,63	12,63	12,23	13,02	13,02	13,63	14,32	14,32	16,74	18,58	22,39	26,33	28,58	31,75	34,06
40	10	14,41	14,41	13,63	13,63	13,63	13,63	13,63	14,71	15,49	15,49	17,82	19,36	23,16	25,55	29,44	35,47	38,57
50	13	17,03	17,03	17,03	17,03	15,49	15,49	15,49	16,65	17,66	17,66	19,28	24,69	25,72	30,20	33,30	39,50	42,60
63	16	18,96	18,96	18,96	18,96	18,20	18,20	18,20	18,67	20,75	20,75	22,85	26,87	28,66	32,53	35,63	42,60	46,31
80	22	24,25	24,25	22,76	22,76	22,76	22,76	22,76	24,25	25,32	25,32	28,58	31,67	35,39	38,72	42,75	47,16	53,36
100	22			26,94	26,94	26,94	26,94	26,94	28,50	31,59	31,59	35,24	38,72	43,76	48,16	52,59	59,10	65,68
125	22				38,18	38,18	37,10	37,10	38,72	42,83	42,83	46,01	50,27	56,68	62,50	68,38	77,91	89,23
150	32							46,09	48,71	49,56	53,05	56,00	62,73	70,41	78,22	86,73	99,90	112,31
160	32							49,95	49,95	53,36	53,36	60,96	69,39	79,39	84,80	97,21	112,31	132,43
175	32							59,64	64,29	64,66	67,38	70,48	80,54	92,16	103,00	121,59	140,95	158,76
200	32							70,48	70,48	73,57	73,57	79,39	90,62	104,55	116,17	137,85	158,76	172,70
250	32									111,52	111,52	109,19	122,36	138,63	154,11	182,00	212,21	254,79
315	40											187,41	197,49	223,82	243,95	278,80	333,02	388,78

Seghe in HSS-Co5 +20% / Saws in HSS-Co5 + 20%

Lame vaporizzate o rivestite a richiesta / Available on request blades with steam treatment or coating

**SEGHE CIRCOLARI DENTATURA GROSSA
SLITTING SAWS COARSE TOOTHING**
HSS DIN 1838 "B"

Diametro Diameter mm	Foro Bore mm	Spessore / Thickness																
		0,3	0,4	0,5	0,6	0,7	0,8	1,0	1,2	1,5	1,6	2,0	2,5	3,0	3,5	4,0	5,0	6,0
€																		
32	8	12,63	12,63	12,63	12,63	12,23	13,02	13,02	13,63	14,32	14,32	16,74	18,58	22,39	26,33	28,58	31,75	34,06
40	10	14,41	14,41	13,63	13,63	13,63	13,63	13,63	14,71	15,49	15,49	17,82	19,36	23,16	25,55	29,44	35,47	38,57
50	13	17,03	17,03	17,03	17,03	15,49	15,49	15,49	16,65	17,66	17,66	19,28	24,69	25,72	30,20	33,30	39,50	42,60
63	16	18,96	18,96	18,96	18,96	18,20	18,20	18,20	18,67	20,75	20,75	22,85	26,87	28,66	32,53	35,63	42,60	46,31
80	22	24,25	24,25	22,76	22,76	22,76	22,76	22,76	24,25	25,32	25,32	28,58	31,67	35,39	38,72	42,75	47,16	53,36
100	22			26,94	26,94	26,94	26,94	26,94	28,50	31,59	31,59	35,24	38,72	43,76	48,16	52,59	59,10	65,68
125	22				38,18	38,18	37,10	37,10	38,72	42,83	42,83	46,01	50,27	56,68	62,50	68,38	77,91	89,23
150	32							46,09	48,71	49,56	53,05	56,00	62,73	70,41	78,22	86,73	99,90	112,31
160	32							49,95	49,95	53,36	53,36	60,96	69,39	79,39	84,80	97,21	112,31	132,43
175	32							59,64	64,29	64,66	67,38	70,48	80,54	92,16	103,00	121,59	140,95	158,76
200	32							70,48	70,48	73,57	73,57	79,39	90,62	104,55	116,17	137,85	158,76	172,70
250	32									111,52	111,52	109,19	122,36	138,63	154,11	182,00	212,21	254,79
315	40											187,41	197,49	223,82	243,95	278,80	333,02	388,77

Seghe in HSS-Co5 +20% / Saws in HSS-Co5 + 20%

Lame vaporizzate o rivestite a richiesta / Available on request blades with steam treatment or coating

SEGHE CIRCOLARI DENTATURA FINE
SLITTING SAWS FINE TOOTHING

Solide Carbide DIN 1837 "A"

Diametro Diameter mm	Foro Bore mm	Spessore / Thickness																
		0,3	0,4	0,5	0,6	0,7	0,8	1,0	1,2	1,5	1,6	2,0	2,5	3,0	3,5	4,0	5,0	6,0
		€																
15	5	13,62	13,62	15,78	15,78	18,64	18,64	20,06	20,80	22,92	24,35	27,98	38,70	43,72	49,47	60,97	74,56	91,77
20	5	15,74	15,78	17,21	17,21	20,06	20,06	22,92	24,35	27,98	29,41	32,26	40,86	46,62	52,33	62,40	77,41	93,15
25	8	15,78	17,94	20,80	20,80	22,92	25,78	27,98	32,26	35,15	38,70	44,45	53,80	70,23	77,42	87,44	106,09	126,16
30	8	22,92	22,92	24,35	24,35	29,41	32,26	35,15	40,13	45,19	48,05	52,33	61,62	73,13	83,16	93,15	113,26	133,33
40	10	29,41	30,84	33,69	33,69	38,70	40,13	41,56	44,46	49,48	50,95	56,66	73,13	84,59	94,63	104,66	126,16	149,12
50	13	39,44	39,44	40,87	40,87	42,99	46,62	49,48	52,33	63,09	64,48	71,66	87,44	101,81	116,12	123,30	150,55	174,90
63	16	65,26	55,92	54,45	55,92	63,09	69,54	71,66	77,42	81,70	86,02	98,91	118,97	134,76	154,83	169,18	202,15	235,14
80	22	130,48	121,83	91,77	88,87	96,05	96,05	100,34	107,52	118,97	121,83	140,47	166,33	199,29	220,78	239,42	291,06	331,19
100	22			167,72	162,00	154,83	140,51	129,01	141,94	162,00	170,61	199,29	236,44	265,24	301,09	332,62	401,42	471,66
125	22				248,03	242,28	239,42	206,46	226,54	260,91	270,95	316,84	372,75	440,14	506,09	576,37	666,66	815,79
150	32							325,96	332,58	342,61	352,64	451,64	508,99	566,33	662,02	731,19		
160	32							373,42	381,04	394,00	405,57	524,73	595,00	643,74	761,67	844,46		
200	32									739,80	752,11	891,77	1.035,14	1.172,80	1.354,50	1.465,24		

SEGHE CIRCOLARI DENTATURA GROSSA
SLITTING SAWS COARSE TOOTHING

Solide Carbide DIN 1838 "B"

Diametro Diameter mm	Foro Bore mm	Spessore / Thickness																
		0,3	0,4	0,5	0,6	0,7	0,8	1,0	1,2	1,5	1,6	2,0	2,5	3,0	3,5	4,0	5,0	6,0
		€																
15	5	13,62	13,62	15,78	15,78	18,64	18,64	20,06	20,80	22,92	24,35	27,98	38,70	43,72	49,47	60,97	74,56	91,77
20	5	15,74	15,78	17,21	17,21	20,06	20,06	22,92	24,35	27,98	29,41	32,26	40,86	46,62	52,33	62,40	77,41	93,15
25	8	15,78	17,94	20,80	20,80	22,92	25,78	27,98	32,26	35,15	38,70	44,45	53,80	70,23	77,42	87,44	106,09	126,16
30	8	22,92	22,92	24,35	24,35	29,41	32,26	35,15	40,13	45,19	48,05	52,33	61,62	73,13	83,16	93,15	113,26	133,33
40	10	29,41	30,84	33,69	33,69	38,70	40,13	41,56	44,46	49,48	50,95	56,66	73,13	84,59	94,63	104,66	126,16	149,12
50	13	39,44	39,44	40,87	40,87	42,99	46,62	49,48	52,33	63,09	64,48	71,66	87,44	101,81	116,12	123,30	150,55	174,90
63	16	65,26	55,92	54,45	55,92	63,09	69,54	71,66	77,42	81,70	86,02	98,91	118,97	134,76	154,83	169,18	202,15	235,14
80	22	130,48	121,83	91,77	88,87	96,05	96,05	100,34	107,52	118,97	121,83	140,47	166,33	199,29	220,78	239,42	291,06	331,19
100	22			167,72	162,00	154,83	140,51	129,01	141,94	162,00	170,61	199,29	236,44	265,24	301,09	332,62	401,42	471,66
125	22				248,03	242,28	239,42	206,46	226,54	260,91	270,95	316,84	372,75	440,14	506,09	576,37	666,66	815,79
150	32							325,96	332,58	342,61	352,64	451,64	508,99	566,33	662,02	731,19		
160	32							373,42	381,04	394,00	405,57	524,73	595,00	643,74	761,67	844,46		
200	32									739,80	752,11	891,77	1.035,14	1.172,80	1.354,50	1.465,24		

**SEGHE SPECIFICHE PER TAGLIO ORBITALE DI TUBI – DENTE “BW”
SPECIFIC SAWS FOR ORBITAL TUBE CUTTING – TOOTH FORM “BW”**
HSS

Diametro Diameter mm	Foro centrale Centre bore mm	Flangia Hub mm	Spessore / Thickness					
			1,2		1,6		2,0	
			€					
			DMo5	Co5	DMo5	Co5	DMo5	Co5
63	16	36	17,75	21,53	19,66	24,16		
68	16	42			21,45	26,33	23,03	28,16
75	16	42					25,95	31,60

Lame vaporizzate o rivestite a richiesta / Available on request blades with steam treatment or coating

**SEGHE SPECIFICHE PER VITERIE DENTE “A”
PRECISION SCREW-SLOTTING “A” TOOTH FORM**
HSS

Diametro Diameter mm	Foro centrale Centre bore mm	Flangia Hub mm	Spessore / Thickness												
			0,7	0,8	0,9	1,0	1,1	1,2	1,3	1,4	1,5	1,6	1,7	1,8	2,0
			€												
80	22	0	19,59	19,59	19,59	19,59	20,75	20,75	21,76	21,76	21,76	22,22	24,94	24,94	24,94
100	22	0	23,31	23,31	23,31	23,31	24,55	24,55	27,19	27,19	27,19	27,65	30,74	30,74	30,74
125	22	0	31,91	31,91	31,91	31,91	33,23	33,23	36,79	36,79	36,79	37,40	40,19	40,19	40,19

Seghe in HSS-Co5 +20% / Saws in HSSE-Co5% + 20%

Lame vaporizzate o rivestite a richiesta / Available on request blades with steam treatment or coating

**SEGHE SPECIFICHE PER OREFICERIA DENTE “A”
PRECISION SAWS FOR JEWELLERY “A” TOOTH FORM**
HSS

Diametro Diameter mm	Foro centrale Centre bore mm	Flangia Hub mm	Spessore / Thickness													
			0,15	0,2	0,25	0,3	0,35	0,4	0,45	0,5	0,6	0,7	0,8	0,9	1,0	
			€													
40	8	10	18	22,05	19,72	17,36	16,20	16,20	16,20	16,20	16,20	16,20	16,20	16,20	16,20	16,20
50	8	10	25	24,78	22,14	19,50	18,20	18,20	18,20	18,20	18,20	18,20	18,20	18,20	18,20	18,20
63	8	10	32	27,87	25,55	21,68	19,75	19,75	19,75	19,75	19,75	19,75	20,61	20,61	20,61	20,61

Seghe in HSS-Co5 +20% / Saws in HSSE-Co5% + 20%

Lame vaporizzate o rivestite a richiesta / Available on request blades with steam treatment or coating

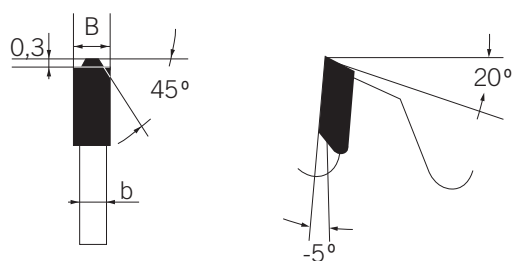


Segmetal

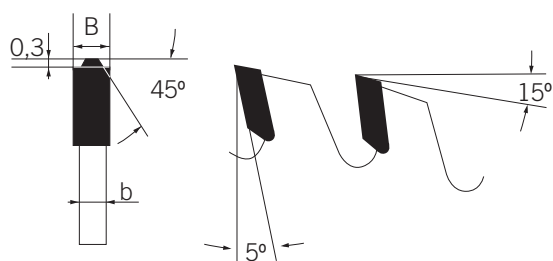


Segmetal

D Diametro Diameter mm	B Spessore Thickness mm	d Foro Bore mm	Z Numero denti Number of teeth mm	€
200	3,0	20-32	60	75,81
250	3,2	20-32	60	94,75
250	3,2	20-32	80	113,70
250	3,2	20-32	100	132,65
275	3,4	30-32	84	120,02
300	3,4	30-32	72	116,85
300	3,4	30-32	84	126,34
300	3,4	30-32	96	138,97
300	3,4	30-32	108	157,92
330	3,6	30-32	96	170,56
350	3,6	30-32	84	135,82
350	3,6	30-32	96	151,59
350	3,6	30-32	108	164,24
400	3,8	30-32	96	170,56
420	4,0	30-32	96	183,18
420	4,0	30-32	120	208,45
450	4,0	30-32	96	195,83
450	4,0	30-32	108	221,08
450	4,0	30-32	128	252,67
500	4,1	30-32	96	290,57
500	4,1	30-32	120	315,83
550	4,2	32-40	108	334,79
550	4,2	32-40	126	366,36
600	4,5	32-40	132	429,53

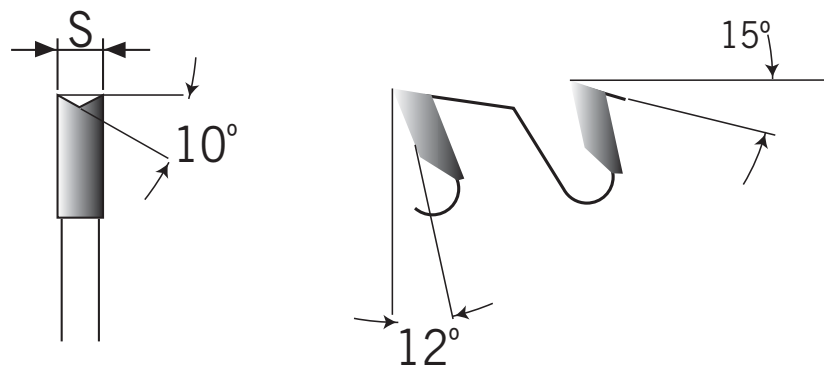


ANGOLO DI TAGLIO NEGATIVO
NEGATIVE CUTTING ANGLE



ANGOLO DI TAGLIO POSITIVO
POSITIVE CUTTING ANGLE

D Diametro Diameter mm	S Spessore Thickness mm	d Foro Bore mm	Z Numero denti Number of teeth	€
200	3,2	30/35	32	56,84
200	3,2	20/30	40	63,16
200	3,2	30/35	48	69,49
200	3,2	20/30	64	82,11
225	3,2	30/35	36	63,16
225	3,2	30/35	56	78,95
225	3,2	20/30	72	94,75
250	3,2	30/35	40	69,49
250	3,2	30/35	48	75,81
250	3,2	30/35	60	88,43
250	3,2	30/35	80	101,07
300	3,2	30/35	48	78,95
300	3,2	30/35	60	91,60
300	3,2	30/35	72	104,23
300	3,2	30/35	96	123,17
350	3,5	30/35	56	88,43
350	3,5	30/35	72	107,39
350	3,5	30/35	84	126,34
350	4,0	30/35	108	142,12
400	4,0	30/35	64	112,44
400	4,0	30/35	80	138,97
400	4,0	30/35	96	151,59
400	4,2	30/35	128	183,18
450	4,2	30/35	72	151,59
450	4,2	30/35	96	173,70
450	4,2	30/35	108	189,50
450	4,2	30/35	132	221,08
500	4,2	30/35	80	189,50
500	4,2	30/35	108	214,77
500	4,2	30/35	128	252,67
550	4,5	30/35	96	290,33
550	4,5	35	120	315,83
600	4,6	35	96	303,20
600	4,6	35	108	304,03
600	4,6	35	128	340,98



D Diametro Diameter mm	S Spessore Thickness mm	d Foro Bore mm	Z Numero denti Number of teeth	CrV Mat. 1.2235 €	W-Mo Mat. 1.2604 €
300	2,5	30 /40	200	80,12	122,12
300	3,0	30 /40	200	81,69	124,53
350	2,5	30 /40	200 / 220	100,07	152,57
350	3,0	30 /40	200 / 220	104,06	158,76
400	2,5	40	240 / 300	122,01	186,27
400	3,0	40	240 / 300	127,47	194,78
400	4,0	40	240 / 300	152,78	233,31
450	2,5	40	240 / 300	147,32	225,23
450	3,0	40	240 / 300	152,78	233,31
450	4,0	40	240 / 300	185,64	284,13
500	3,0	40	300	188,16	286,97
500	4,0	40	300	227,96	348,29
500	5,0	40	300	266,81	406,77
500	6,0	40	300	305,13	466,62
520	3,0	40	300	190,68	290,85
520	4,0	40	300	225,96	344,51
520	5,0	40	300	295,16	450,45
520	6,0	40	300	337,47	515,13
550	3,0	40	300	232,47	355,01
550	4,0	40	300	249,90	382,10
550	5,0	40	300	326,55	498,96
560	4,0	40	300	244,97	374,01
560	3,0	40	300	262,40	400,58
560	4,0	40	300	339,05	518,39
580	4,0	40	300	321,62	491,30
580	5,0	40	300	372,86	569,31
580	6,0	40	300	426,09	651,42
600	4,0	40 / 50	300	310,59	474,18
600	5,0	40 / 50	300	359,42	556,40
600	6,0	40 / 50	300	462,00	705,60
650	4,0	40 / 50	300	398,27	608,69
650	5,0	40 / 50	300	462,42	707,07
650	6,0	40 / 50	300	503,27	768,81
700	4,0	40 / 50	300	476,91	729,44
700	5,0	40 / 50	300	495,29	756,53
700	6,0	40 / 50	300	559,55	854,81
700	7,0	40 / 50	300	623,28	952,77
750	5,0	40 / 50	300 / 350 / 400	578,45	882,84
750	6,0	40 / 50	300 / 350 / 400	652,58	996,45
750	7,0	40 / 50	300 / 350 / 400	742,77	1.110,48
800	5,0	40 / 50	300 / 350 / 400	678,51	1.035,93
800	6,0	40 / 50	300 / 350 / 400	765,14	1.168,44
800	7,0	40 / 50	300 / 350 / 400	854,28	1.304,31
800	8,0	40 / 50	300 / 350 / 400	941,85	1.437,87
850	6,0	40 / 50	320 / 350 / 380	877,17	1.343,37
850	7,0	40 / 50	320 / 350 / 380	980,70	1.498,25
850	8,0	40 / 50	320 / 350 / 380	1081,19	1.508,64
900	7,0	50 / 80 / 100	320 / 350 / 400	1134,53	1.732,50
1000	7,0	50 / 80 / 100	320 / 400 / 450	1396,82	2.134,02
1000	7,5	50 / 80 / 100	320 / 400 / 450	1468,01	2.239,02
1000	8,0	50 / 80 / 100	320 / 400 / 450	1655,22	2.378,78
1000	10,0	50 / 80 / 100	320 / 400 / 450	1843,91	2.816,42

D mm	HSS DMo5 Standard	HSS DMo5 scarichi laterali e molla d'estrazione side discharges and extraction spring	HM metallo duro per INOX carbide for stainless steel
€			
10	10,04	12,97	
11	10,47	13,68	
12	11,05	14,40	
13	11,98	15,10	
14	12,18	15,52	
15	12,56	16,05	44,03
16	13,00	16,41	44,03
17	13,24	16,70	44,03
18	13,43	16,88	44,03
19	13,57	17,04	44,03
20	14,24	17,23	44,03
21	14,99	18,11	44,03
22	15,69	19,02	44,03
23	16,44	19,85	49,11
24	17,06	20,73	49,11
25	17,77	21,56	49,11
26	18,52	22,44	57,53
27	19,28	23,28	57,53
28	19,95	24,15	57,53
29	20,71	25,05	57,53
30	21,40	25,88	57,53
31	22,16	26,76	66,02
32	22,79	27,59	66,02
33	23,53	28,48	66,02
34	24,23	29,31	66,02
35	24,97	30,21	66,02
36	27,16	31,09	76,17
37	27,92	31,92	76,17
38	28,68	32,80	76,17
39	29,43	33,63	76,17
40	30,18	34,52	76,17
41	30,93	35,34	88,01
42	31,69	36,25	88,01
43	32,45	37,13	88,01
44	33,20	37,96	88,01
45	33,95	38,84	88,01
46	34,70	39,67	99,86
47	35,46	40,57	99,86
48	36,21	41,40	99,86
49	36,96	42,28	99,86

D mm	HSS DMo5 Standard	HSS DMo5 scarichi laterali e molla d'estrazione side discharges and extraction spring	HM metallo duro per INOX carbide for stainless steel
€			
50	37,72	43,17	99,86
51	47,00	55,01	110,00
52	47,94	56,08	110,00
53	48,89	57,14	110,00
54	49,77	58,26	110,00
55	50,72	59,34	110,00
56	51,64	60,40	
57	52,53	58,19	
58	53,47	62,54	
59	54,41	63,66	
60	55,36	64,72	141,36
61	66,39	74,55	
62	67,58	75,81	
63	68,65	77,04	
64	69,72	78,21	
65	70,85	79,47	148,14
66	71,93	80,65	
67	72,98	81,90	
68	74,11	83,14	
69	75,18	84,32	
70	76,30	85,56	160,82
71	77,37	86,81	
72	78,45	87,89	
73	79,58	89,24	
74	80,64	90,48	
75	81,70	91,68	174,37
76	82,83	92,90	
77	83,91	94,16	
78	84,98	95,34	
79	86,10	96,58	
80	87,17	97,77	187,87
85	103,30	112,79	211,56
90	110,08	119,26	228,48
95	116,12	125,84	236,96
100	122,30	133,57	253,89
105	158,32	172,89	321,63
110			355,46
115			380,87
120			406,21

Espositore frese a tazza (33 frese) / Hole saws

Diametro Diameter mm	€
10 - 12 - 13 - 14 - 15 - 16 - 17 - 18 19 - 20 - 21 - 22 - 23 - 24 - 25 - 26 27 - 28 - 29 - 30 - 31 - 32 - 33 - 34 34 - 36 - 37 - 38 - 39 - 40 - 42 - 45 - 50	712,31

Allargafori / Hole saws

Diametro Diameter mm	€
0-15	17,36
6-20	26,98
10-30	52,73
20-40	77,26

Espositori allargafori (4 allargafoti) / Hole saws

0/15 - 6/20 - 10/30 - 20/40	199,38
-----------------------------	--------

SEGHE A NASTRO BIMETALLICHE M42 / M42 BIMETAL BANDSAW BLADES

Altezza x spessore Heigh x thickness mm	Materiale Material	Prezzo al metro Price per meter €	Prezzo saldatura Weld price €
6 x 0,9	M42	11,21	6,73
10 x 0,9	M42	11,21	6,73
13 x 0,9	M42	11,66	6,73
20 x 0,9	M42	12,11	6,73
27 x 0,9	M42	12,56	6,73
34 x 1,1	M42	17,94	11,21
41 x 1,3	M42	23,32	13,45

SEGHETTE A MANO BIMETALLICHE M2 - M42 / M2 - M42 BIMETAL HAND HACKSAW BLADES

Dimensioni Dimension mm	Pollici Inches	Modello Model	Confezione Packaging	€ / cad.
300 x 13 x 0,60	12" x 1/2 x 0,25"	progressivo - progressif	100 pz	1,67
300 x 13 x 0,60	12" x 1/2 x 0,25"	24 denti/pollici - 24 tooth/inch	100 pz	1,99

Ordini: si intendono sempre salvo nostra approvazione e non possono essere revocati da parte del committente. Le conferme di ordini si intendono accettate se non ci perviene risposta entro 10 giorni dall'invio.

Ordini per utensili speciali: a causa delle specifiche, particolari lavorazioni, ci riserviamo la facoltà di consegnare a saldo un quantitativo leggermente superiore o inferiore a quello ordinato. Gli utensili speciali vengono messi in produzione solo dopo il benestare della nostra offerta, firmato dal cliente.

Piccoli ordini: non si accettano ordini per importi inferiori a 150,00 Euro.

Spedizione: la merce, salvo espressa pattuizione contraria, viene fornita franco ns. stabilimento o deposito. Essa viaggia sempre ed in ogni caso ad esclusivo rischio e pericolo del committente. Ci si riserva di evadere l'ordine parzialmente. La rimanenza verrà inclusa nella prima spedizione successiva.

Imballo: l'imballo è addebitato al costo.

Termini di consegna: sono approssimativi e comunque non impegnativi. I giorni si intendono lavorativi e decorrenti dalla data dell'ordine o della conferma.

Reclami: dovranno pervenire per iscritto entro otto giorni dal ricevimento della merce.

Garanzia: in normale uso. Provvederemo a sostituire gratuitamente gli utensili da noi riconosciuti difettosi. La stessa non si estende agli utensili che presentino una normale usura, segni di manomissione o di errato impiego.

Pagamenti: dovranno essere effettuati presso la nostra sede. Non si ammettono arrotondamenti o trattenute. Sconti per pagamenti a ricevimento fattura vanno calcolati sull'importo netto della merce, escluse quindi spese di imballo, postali, imposte od altro. Trascorsi 15 giorni questo beneficio si intende revocato ed il pagamento va pertanto effettuato per l'intero importo. Nel caso di ritardati pagamenti saranno conteggiati gli interessi bancari dalla scadenza all'avvenuto effettivo pagamento, maggiorati di eventuali spese accessorie.

Foro competente: per ogni controversia viene riconosciuta l'esclusiva competenza del Foro di Torino

Orders: orders are always subject to our accepting them and they may not be cancelled later by the customer. Order's confirmation are considered as accepted if the reply doesn't reach within 10 days from dispatch.

Orders for special tools: due to the specific, particular manufacturing processes involved, we reserve the right to complete the delivery with a slightly lower or higher number of items than specified in the order. Special orders are only put into production after the customer has given his signed acceptance of our offer.

Small orders: order under 150,00 Euro cannot be accepted.

Delivery: goods, unless there is an express agreement to the contrary, will right to partially fill orders. The outstanding materials will be included in the next following shipment.

Packaging: packaging is charged at cost price.

Delivery dates: these are approximate and therefore not binding. Days are understood as working days and they run from the date of the order or the confirmation.

Complaints: these must be received by us in written form within eight days from the receipt of the goods.

Guarantee: normal procedure. We will replace tools we agree to be defective, free of charge. The guarantee does not cover tools showing ordinary wear and tear, which have been tampered with or which have been used incorrectly.

Payment: payment must be made at our offices. Amounts may not be rounded upwards or downwards or deductions made. Discounts for payment on receipt of invoice are calculated on the net amount payable for the goods and they thus exclude packaging, postal or other charges and taxes. This facility is considered revoked after fifteen days and payment must thereafter be made in full. In the case of late payment, bank interest will be calculated from the due date to the actual receipt of payment together with any additional costs.

Competent Court: should any dispute arise, only the Court of Turin is to be considered competent.



Segmetal srl

Via Albenga, 124

10098 RIVOLI (TO) Italy

Tel. +39 011 9594436 r.a.

Fax +39 011 9594437

info@segmetal.it · www.segmetal.it